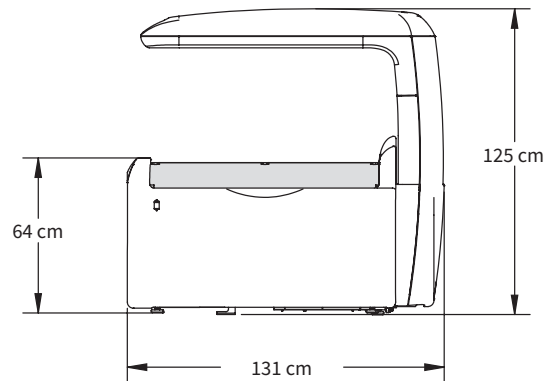
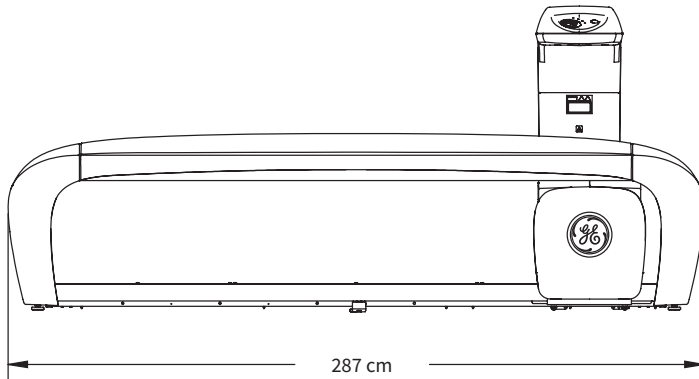
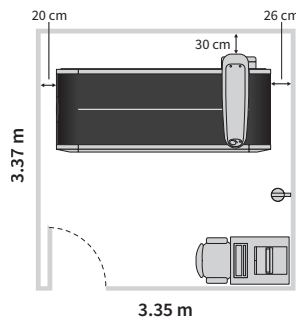


Lunar iDXA™ Specification Sheet

Scanner dimensions:



Minimum room dimensions¹:



The Lunar iDXA is designed to have minimal impact on your practice in both the installation requirements and required operating space. The Lunar iDXA is shown in a 3.35 m x 3.37 m exam room with the included workstation. No operator shielding or special site preparation beyond a dedicated 100-127/200-240 VAC duplex outlet is usually required.² The outlet should be placed near the desired location of the operator's console.

Scanner table specifications:

Scanner size	2.87 m x 1.31 m x 1.25 m
Scanner weight	353 kg
Patient table top height	64 cm
Maximum patient weight supported	227 kg
Drive system	stepper motor with reinforced drive belts
Active scan area	198 cm x 66 cm
Start position indicator	cross laser light (class II, <1 mW power)
Pad	washable patient mat, includes paper roll dispenser
Attenuation of patient support table	<1.2 mm AL
Communication cable	Ethernet
Scanner leakage current	meets IEC 60601-1 safety standard

Detector specifications:

Detector..... high-definition, direct-digital detector

Computer specifications:

Processor	Intel® Core™ i3
Operating System	Windows® 10 IoT 2021 LTSC
Memory	RAM 8 GB
Storage	1 TB NVMe SSD
Optical Drive	DVD-RW SATA
Monitor	.24" SVGA (min resolution 1920 x 1080 32-bit color)
Archive Drive (optional)	1 TB USB
Document viewing	Adobe® Reader® DC
Browser	Microsoft Edge
Connector	RS-232 Serial Port
Printer	Windows®-compatible

Environmental specifications:

Power	100-127 VAC 50/60Hz 20A dedicated circuit 200-240 VAC 50/60Hz 10A dedicated circuit
Consumption	idling 40VA, scanning 525VA
Distortion	sinusoidal waveform, less than 5% THD
Humidity	20%-80% non-condensing
Room temperature	18°C-27°C
Scanner heat output	idling 150 BTU/hr, scanning 1800 BTU/hr
Console heat output	approx. 200 BTU/hr with 24" monitor
Ventilation	all cooling vents must remain unblocked
Dust, fumes, debris	install system in clean, ventilated area
Altitude	tested up to 4,000 m

Connectivity:

- Teledensitometry³
- DICOM® interface
- HL7 interface
- SQL Server

Lunar iDXA Specification Sheet

✓ Standard

● Optional

		Lunar iDXA with Pro SW Package	Lunar iDXA with Advance SW Package
Productivity Apps	SQL Server Database	✓	✓
	HL7	✓	✓
	DICOM®	✓	✓
	Multiuser dB (1-3)	✓	✓
	Teledensitometry ³	✓	✓
	ScanCheck	✓	✓
	Practice Management	✓	✓
	Composer	✓	✓
	OneScan	✓	✓
	OneVision	✓	✓
	QuickView	✓	✓
	Multiuser Database (1-40)	●	✓
Basic Bone	AP Spine	✓	✓
	Dual Femur	✓	✓
	Femur	✓	✓
	Forearm	✓	✓
	Nonseated Forearm	✓	✓
	FRAX® Fracture Risk Tool	✓	✓
	DVO Fracture Risk Tool ⁴	✓	✓
	DVA (Includes: LVA, APVA, Lateral BMD)	●	✓
Advanced Bone	Pediatric – AP Spine	✓	✓
	Pediatric – Femur	✓	✓
	Pediatric – TB (Birth to 20 YO)	✓	✓
	Orthopedic Hip	●	✓
	Advanced Hip Assessment	●	✓
	Spine Geometry	●	✓
	Hand	●	✓
	Orthopedic Knee	●	✓
	Atypical Femur Fracture	●	●
	Small Animal	●	●
Total Body	Total Body BMD	✓	✓
	Total Body Comp	✓	✓
Advanced Body	CoreScan™	✓	✓
	Advanced Body Comp ⁵	●	✓
	Sarcopenia	●	●
New enCORE v18 Options	DXAVision™	●	●
	Advanced Analytics Full	●	●
	Advanced Analytics Bone	●	●
	Advanced Analytics Body Comp	●	●
	Sports Athletics Package	●	●
	Integrated TBS	●	●

1. A small room kit with isolation transformer may be required. Please refer to local regulations. 2. Consult and follow local X-ray regulations. 3. Additional hardware may be required for fax capabilities. 4. German speaking countries only.

5. Bone-Lean-Tissue Color Coding, Metabolic Results (ICW, ECW, TBW), Resting Metabolic Rate, Composer Style Sheets – Body Sports Medicine Segmental, Body Patient Weight Loss.

Products mentioned in the material may be subject to government regulations and may not be available in all countries. Shipment and effective sale can only occur after approval from the regulator. Please check with local GE HealthCare representative for details.

©2023 GE HealthCare. Lunar iDXA, DXAVision and CoreScan are trademarks of GE HealthCare. DICOM is a trademark of National Electrical Manufacturers Association. Windows is a registered trademark of Microsoft Corporation. GE is a trademark of General Electric Company used under trademark license.

June 2023 JB00514XE



GE HealthCare